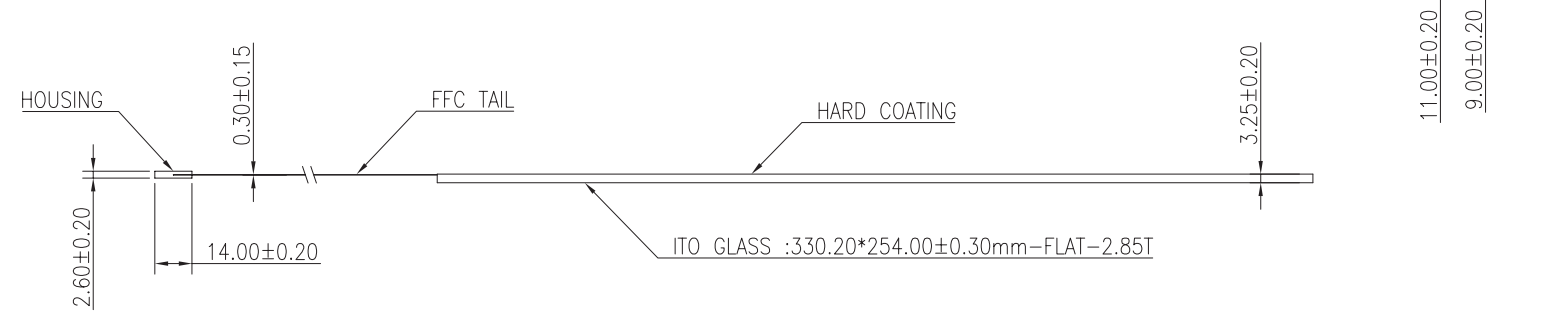


CONNECTOR PINOUT	
PIN NO.	DESIGNATION
1	RT
2	LT
3	SG
4	LL
5	RL



**NORTHPOINT
TECHNOLOGIES, INC.**

ITEM NO: CA5-151F-015		APPROVE:	
UNIT: mm	SCALE: 1/1	DESIGN:	
TOL.: .XX	DATE:	DRAW:	